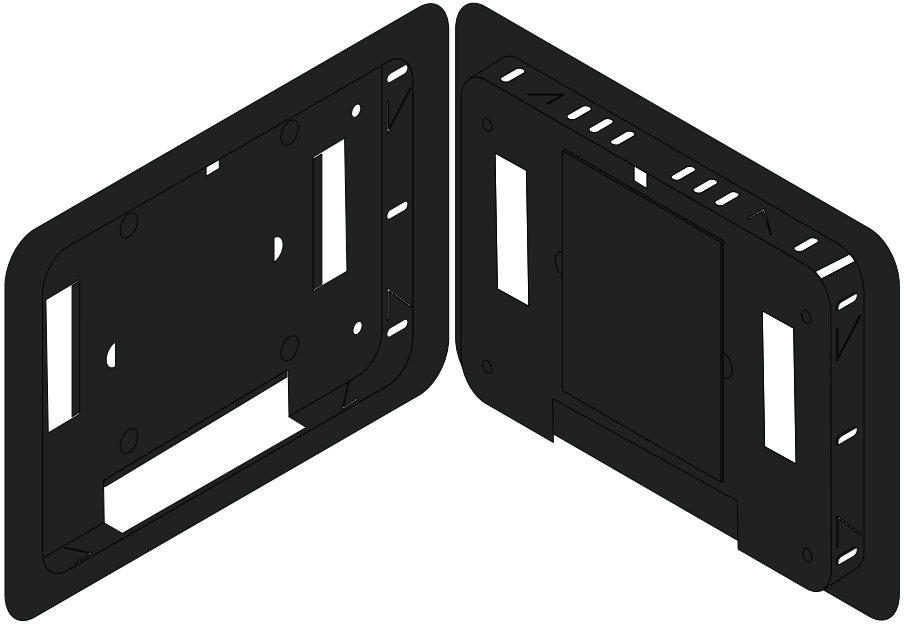




## Flush Mount Kits for Velocity Touch Panels

AT-VTP-FMK-7-BL



The Atlona AT-VTP-FMK-7 is a flush mount kit for Velocity™ 7" touch panels. It allows the touch panel to be recessed into a wall so the panel face is virtually flush with the wall surface. The VTP-FMK-7 kit fastens to the wall with adjustable metal tabs and the touch panel attaches to the mount via four magnets. These magnets secure the touch panel to the enclosure when in use while also allowing it to easily be removed for maintenance if necessary. The VTP-FMK-7 is available in black and compatible with Velocity 7" touch panels including the AT-VTP-700VL-BL.

### Package Contents

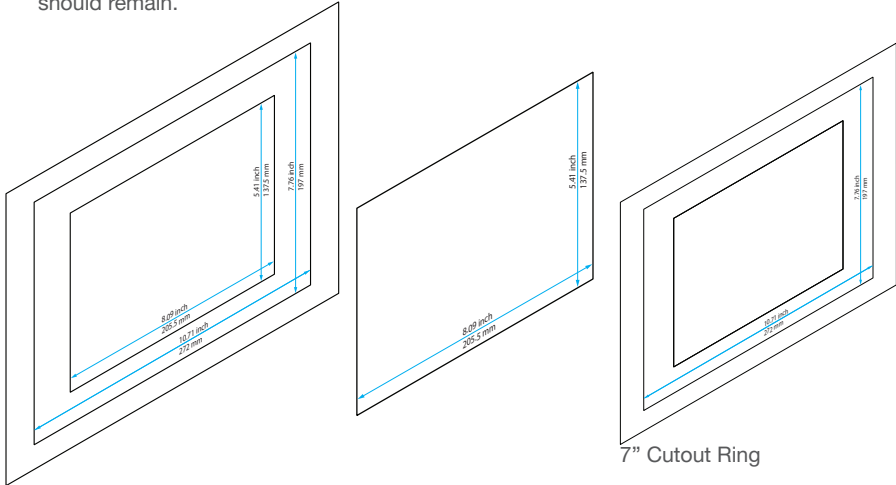
- 1 x AT-VTP-FMK-7-BL
- 1 x Perforated Wall Cutout Template
- 4 x Magnets
- 4 x Plastic Washers
- 4 x Screws



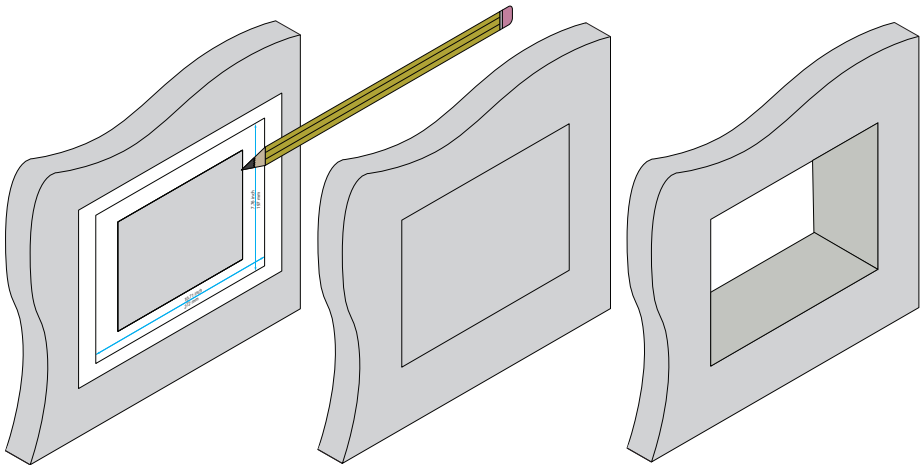
## Mounting Instructions

Use the following steps to install the AT-VTP-FMK into the wall.

1. Remove the inner cut out from the Perforated Wall Cutout Template. The two outer rings should remain.

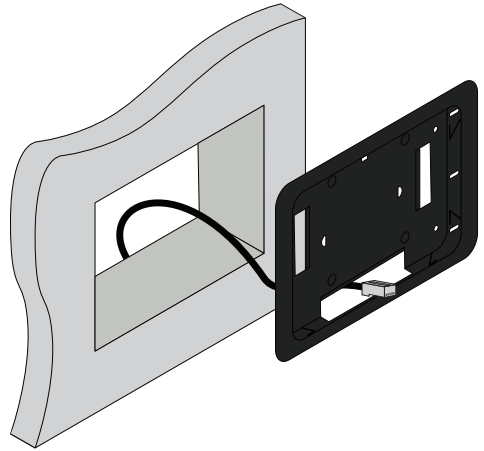
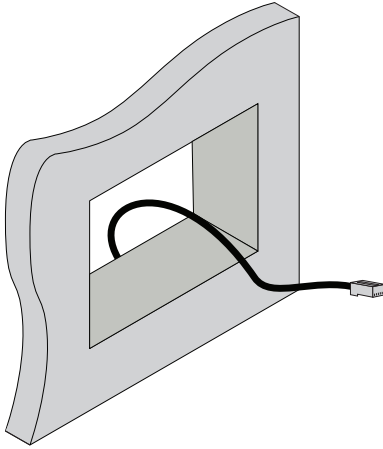


2. Trace the inside edge of the cutout ring onto the wall.
3. Cut and remove the traced part of the wall.

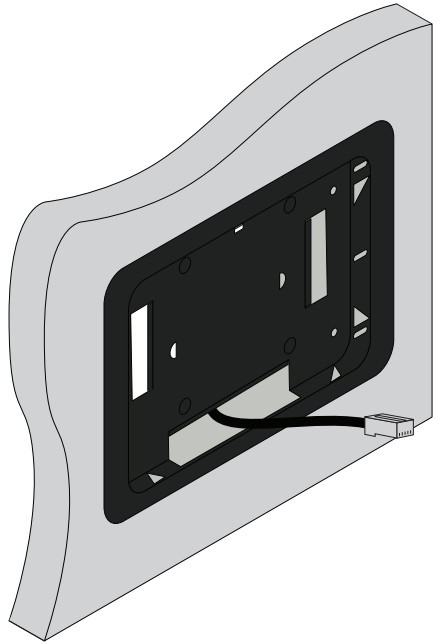
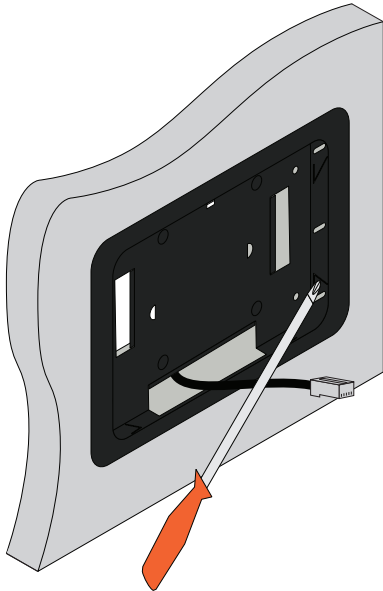




4. Pull the Ethernet cable through the hole in the wall and thread it through the VTP-FMK.
5. Slide the VTP-FMK into the hole in the wall until it is pressed fully against the wall.

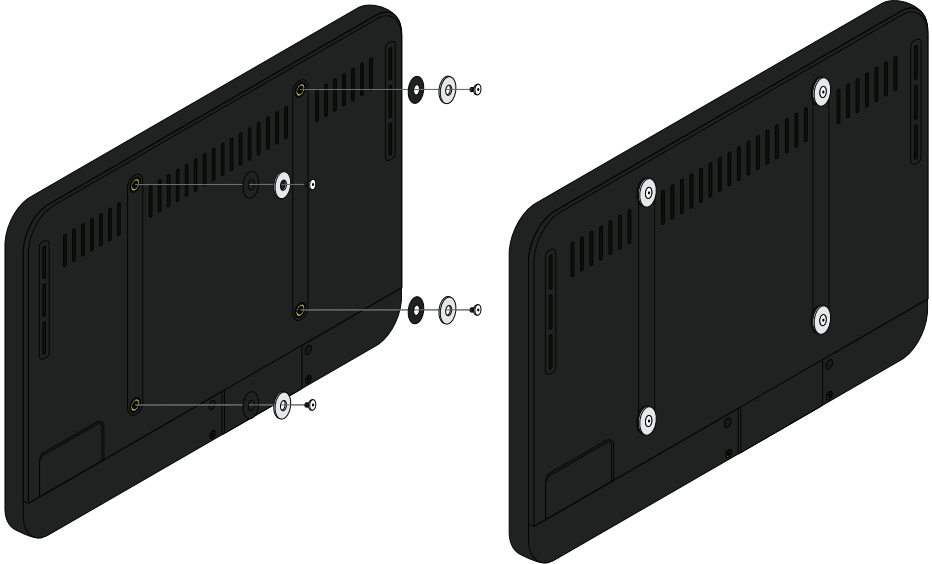


6. Press a screwdriver into the triangle metal flaps of the unit to secure the VTP-FMK into the wall. There are 8 triangles to press in, two on each side.

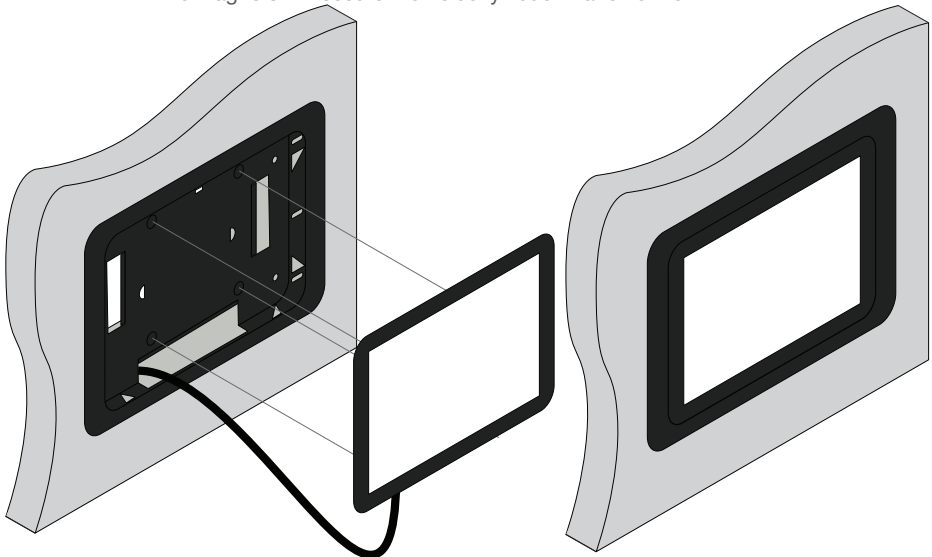




7. \*Optional\* If mounting screws are installed in the Velocity Touch Panel, remove them from the back of the unit.
8. Thread the screw into the magnet first, followed by the washer.
9. Screw the group into the back of the Velocity Touch Panel.



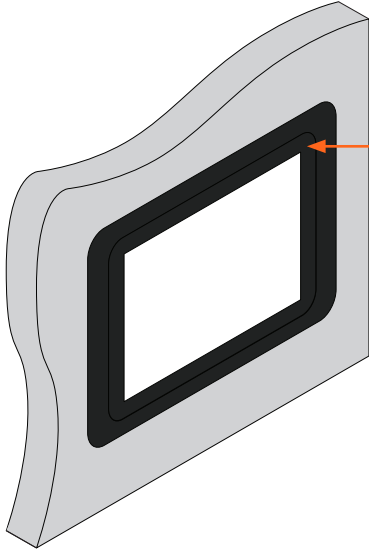
10. Connect the Ethernet cable into the port on the back of the Velocity Touch Panel.
11. Slide the Ethernet cable back into the wall as the Velocity Touch Panel is mounted into the VTP-FMK. The magnets will secure the Velocity Touch Panel to the VTP-FMK.





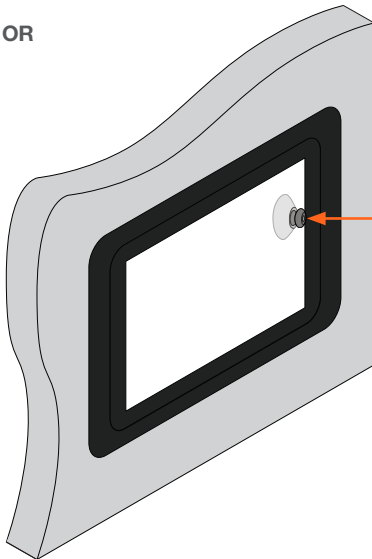
## Panel Removal

If the panel needs to be removed from the flush mount, it can be done using two methods: corner press or included suction cup.



Press a finger into the top right corner. The left side of the panel will pop out and the panel can be removed.

OR



Attach the included suction cup to the Velocity Touch Panel and gently pull the panel off the VTP-FMK.



## Warranty

To view the product warranty, use the following link or QR code:

<https://atlona.com/warranty/>.



Version 1



US International  
atlona.com • 408.962.0515 • 41.43.508.4321